

Engineering Drawing (Rev-2012 and Rev-2016) Backlog Examination

Total marks- 30

Time: 1hr 30 minutes.

Q1 Attempt any one

5

- An inelastic String 100 mm long is wound around a disc of 40 mm diameter Trace the path of free end of a string and name the curve.
- The F.V. of 85 mm long straight line AB measures 60 mm while its T.V. measures 70 mm. Draw the projection of AB if its end A is 10 mm above HP and 20 mm behind VP, while its end B is in First Quadrant. Draw the Projections of line and determine the inclination of Line AB with the reference planes.

Q2 Attempt any one

15

- For the Object shown in Figure 2a, draw the following views-
 - Sectional Front View along Section A-A (05)
 - Right Hand Side View (04)
 - Top View (04)
 - Insert the Major Dimensions (02)

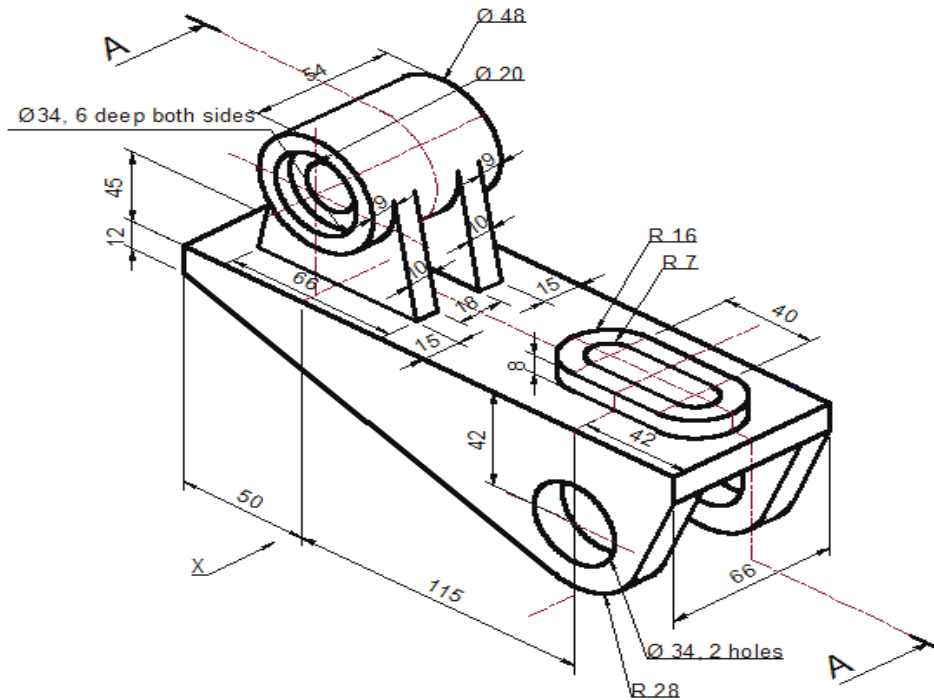


Fig. 2a

- A Hexagonal Pyramid, base 25 mm side and axis 55 mm long, has one of its slant edges on HP. A Vertical Plane containing that edge and axis is inclined at 45° to VP. Draw its projections when the apex is nearer the VP.

Q3 Attempt any one

10

- a. A cylinder of 50 mm diameter of base and 70 mm length of axis is resting on one point of circumference in VP. Draw its projections if one of the generators is inclined at 30° to VP and parallel to HP.
- b. Front View and Right Hand Side View of an Object is shown in Figure 3b. Draw an isometric view

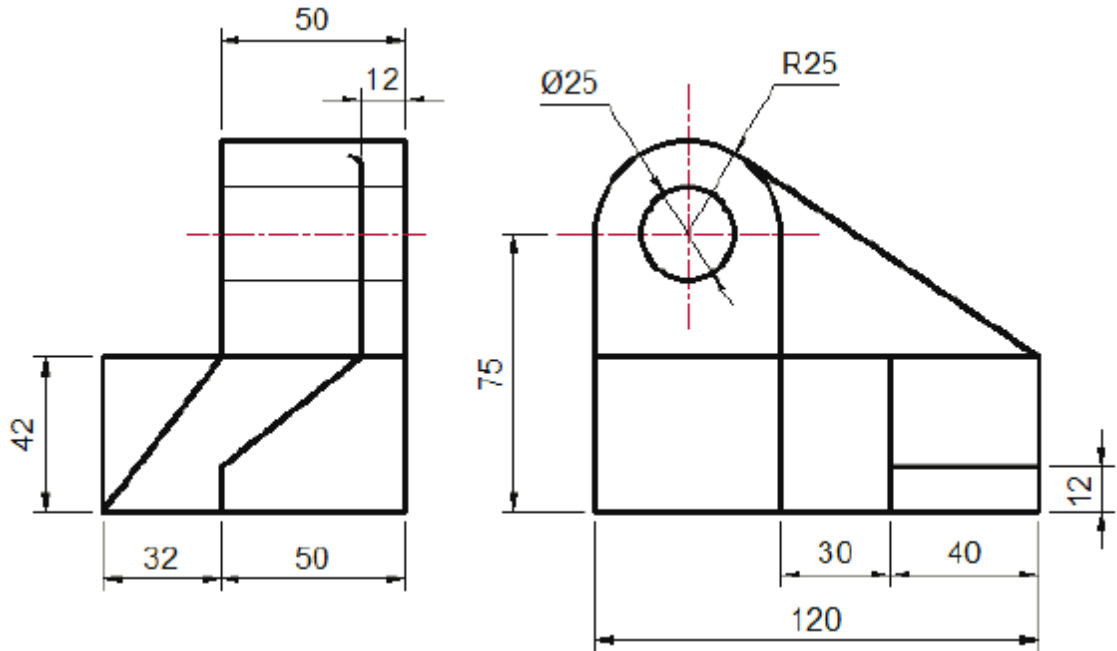


Fig.3b